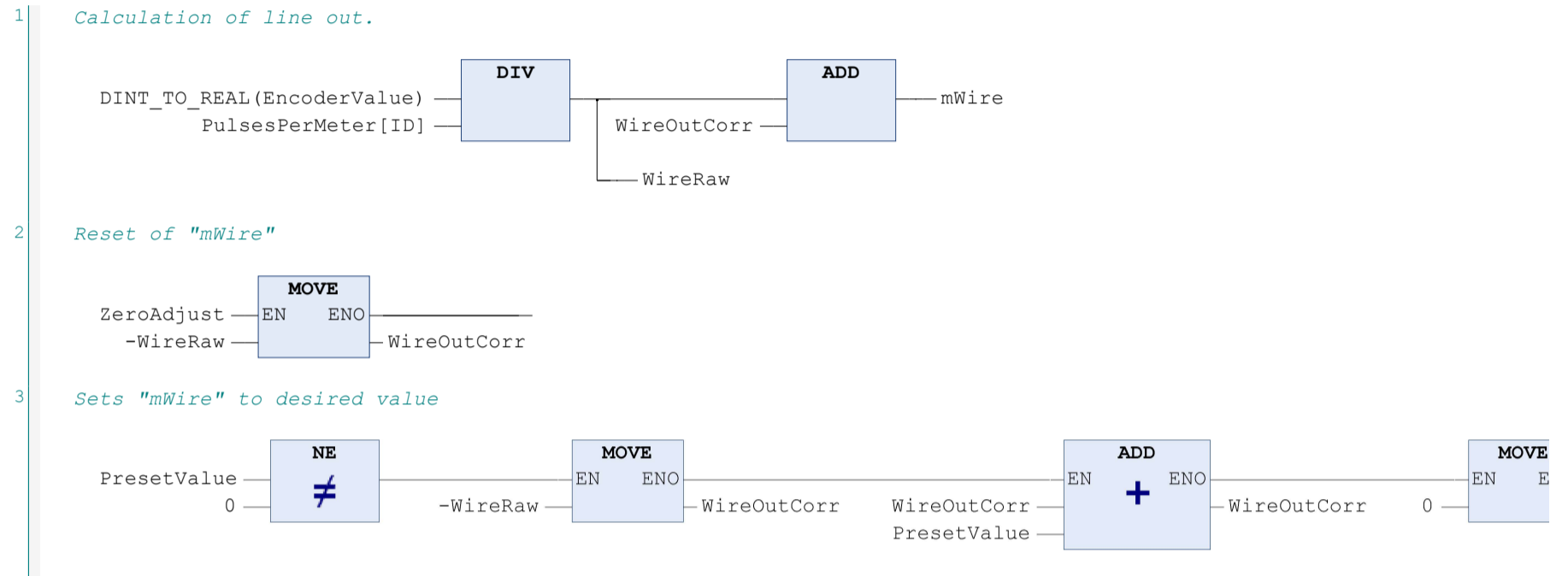


```

1  FUNCTION_BLOCK mWirePulledOut
2  VAR_INPUT
3      EncoderValue : DINT ;
4  END_VAR
5  VAR
6      WireRaw : REAL ;
7      PresetValue : REAL ;
8      ZeroAdjust : BOOL ;
9  END_VAR
10 VAR_RETAIN PERSISTENT
11     WireOutCorr : REAL ;
12 END_VAR
13 VAR_OUTPUT
14     mWire : REAL ;
15 END_VAR
16

```



NO
PresetValue